

7-10" DIA. WHEELS FROM LAWNMOWER, WAGON, TRICYCLE, BARBECUE, ETC.

SQUARE SECTION PREVENTS TURNING.

CARRIAGE BOLT

LAG SCREW

MACHINE BOLT

USE THESE TYPE FASTENERS - NAILS WILL NOT HOLD.

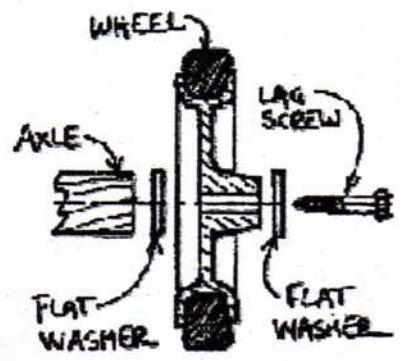
SEAT - 15x20" 3/8 PLYWOOD

SEAT BACK - 8 1/4 x 20" 3/8 PLYWOOD

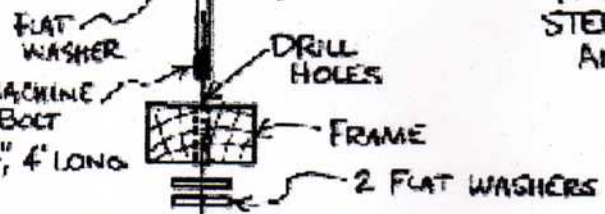
POST - 2x4

FRAME - 2x4 52" LONG

STEERING BRIDLE - 1/4" NYLON ROPE



AXLES - 2x4, 28" LONG



WASHER
NUT
SECOND NUT TIGHTENED AGAINST FIRST TO LOCK

SAFETY BLOCKS TO LIMIT STEERING ANGLE

USE SAFETY BELTS AND HELMETS.

PLYWOOD BRACE - ONE EACH SIDE

